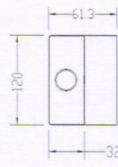
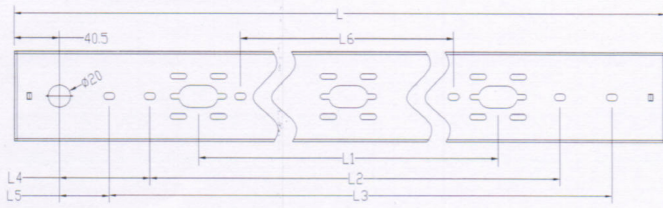


Batten Installation guide

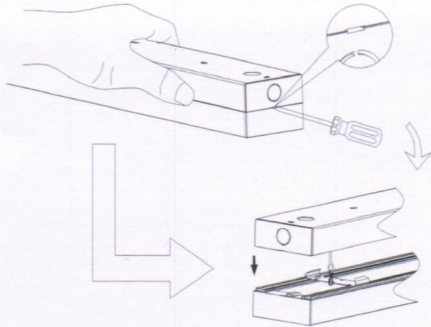
1. Product Size



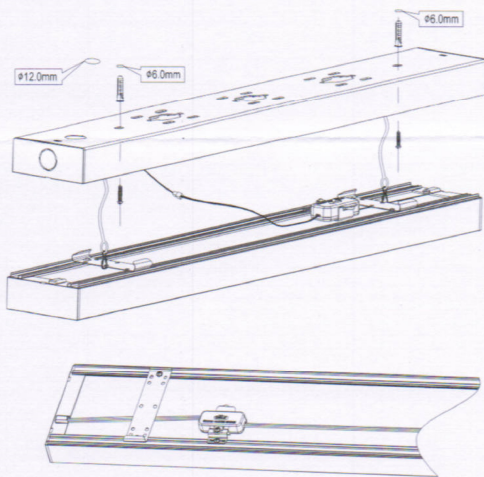
Type	Size L	Size L1	Size L2	Size L3	Size L4	Size L5	Size L6
4FT-18W	1200mm	610mm	800mm		159.5mm		
4FT-32W	1200mm	610mm	800mm		159.5mm		
5FT-22W	1500mm	610mm			289.5mm		540mm
5FT-40W	1500mm	610mm			289.5mm		540mm
6FT-27W	1800mm	610mm		1320mm		199.5mm	
6FT-49W	1800mm	610mm		1320mm		199.5mm	

2. Surface mounting procedure:

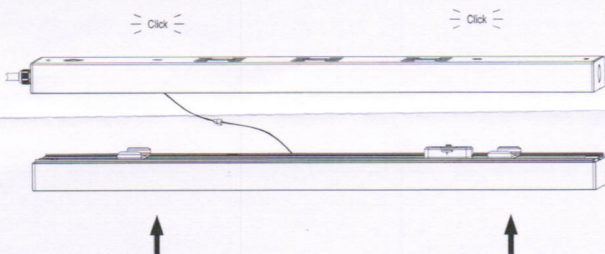
1). Open the lamps, then take out the accessories bag.



3). Fix the rear aluminium casing to the wall/ceiling.

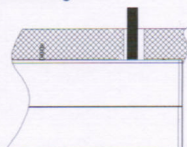


5). Assemble the lamp body on the aluminium casing.

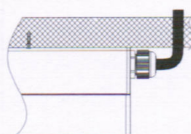


3. Connection type

1). Back wiring

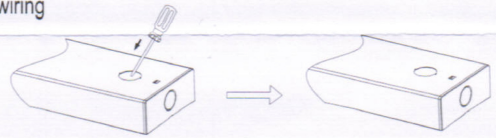


2). Side wiring

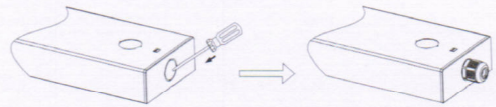


2). Pop out required entry hole, then mount the cable gland.

① Back wiring

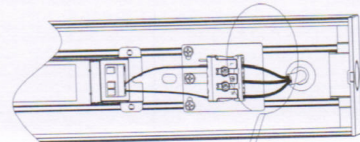


② Side wiring

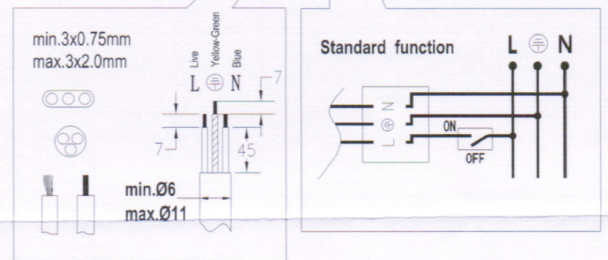
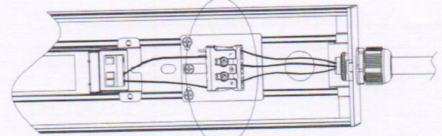


4). Connected the input wire to the terminal like below.

① Back wiring



② Side wiring



4. Parts included:

